

AC Tube Light

DATA SHEET



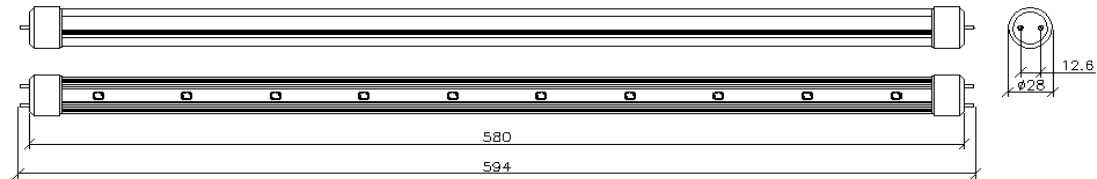
1. Applications:

General Light, Cabinet Light, Advertising Light, Back Light, Stage Light, etc..

2. Features:

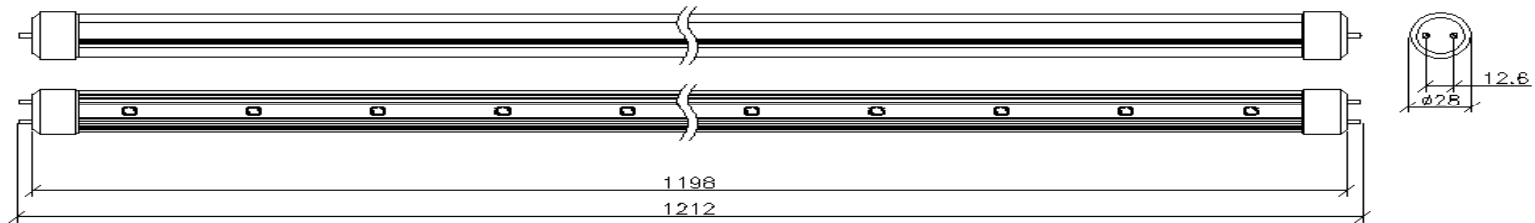
- 100% replace T8 fluorescence tube.
- Super high lumens output (luminaire efficacy reaches 79 lm/Watt) .
- Good thermal dissipation design (LED junction temperature is controlled under 75°C).
- High-efficient power design (Constant current) .
- 100% No flicker.
- UV or IR free.
- Cool beam avoids heat degeneration.
- Energy saving (50% saving as compared conventional fluorescence) and Environment friendly.
- Long operation life(Estimated life reaches 50,000 hours).

3. Specification



10w LED Tube light

Outline Dim.: Ψ 25X580(L) mm
LED Light Source : 1WX10ea (Nichia 083BT)
Input Voltage: 100~240V AC
Power Consumption: 11Watt (100Vac) /10Watt (220Vac)
Operation Temp.: -20°C~40°C
IP: 54/ 65



20w LED Tube light

Outline Dim.: Ψ 25X1198(L) mm
LED Light Source : 1WX20ea (Nichia 083BT)
Input Voltage: 100~240 V AC
Power Consumption: 22Watt (100Vac)/ 20Watt (220Vac)
Operation Temp.: -20°C~40°C
IP: 54/ 65

4. Packaging information :

10w LED Tube light

Packing: 40 boxes/carton		
box	33x26x600(mm)	330 g
carton	1362x237x213(mm)	15.7 kg

20w LED Tube light

Packing: 20 boxes /carton		
box	33x26x1220(mm)	685 g
carton	1362x237x213(mm)	16.2 kg

5. Thermal Performance :

LED	10ea NICHIA 1Watt LED
Tube Light Surface Temperature	55.6°C
LED Junction Temperature	72.3°C
Ambient Temperature	30°C

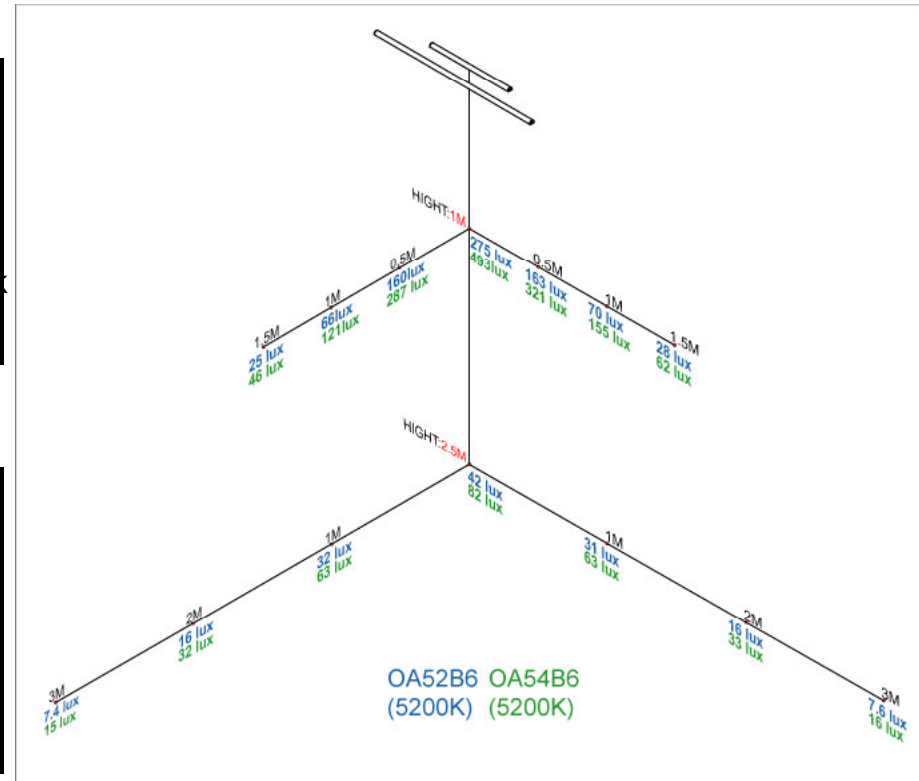
6. Optical performance:

10 W AC Tube light

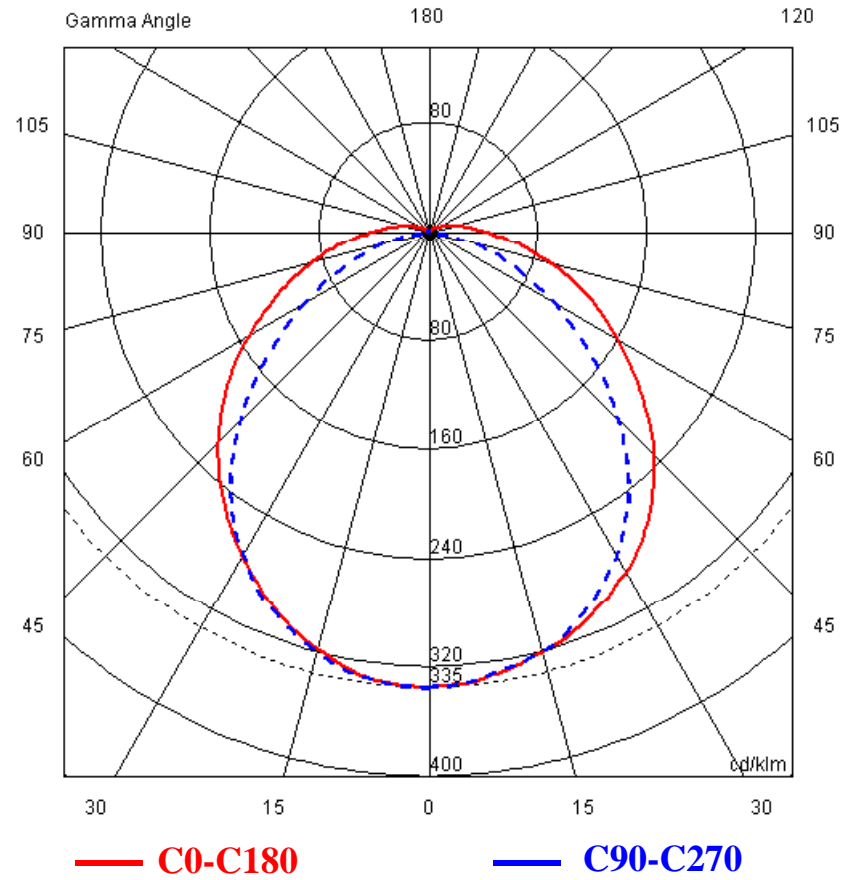
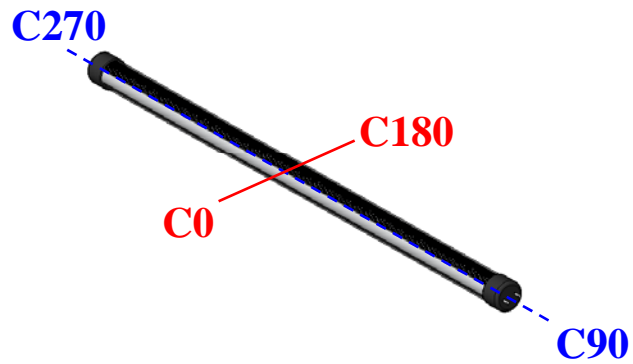
AKOA52B6	Beam Angle	120 degree
	LED Color Temp. (Typical)	5200±400 K
	Output Lumens (Typical)	864 Lm
AKOA32B6	Beam Angle	120 degree
	LED Color Temp. (Typical)	3000±300 K
	Output Lumens (Typical)	692 Lm

20W AC Tube light

AKOA54B6	Beam Angle	120 degree
	LED Color Temp. (Typical)	5200±400 K
	Output Lumens (Typical)	1739 Lm
AKOA34B6	Beam Angle	120 degree
	LED Color Temp. (Typical)	3000±300 K
	Output Lumens (Typical)	1391 Lm



Illuminance Distribution at 1M and 2.5M Distance



7. Operation Environment:

This product can operate on -20°C~40°C environment.

8. Safety warning

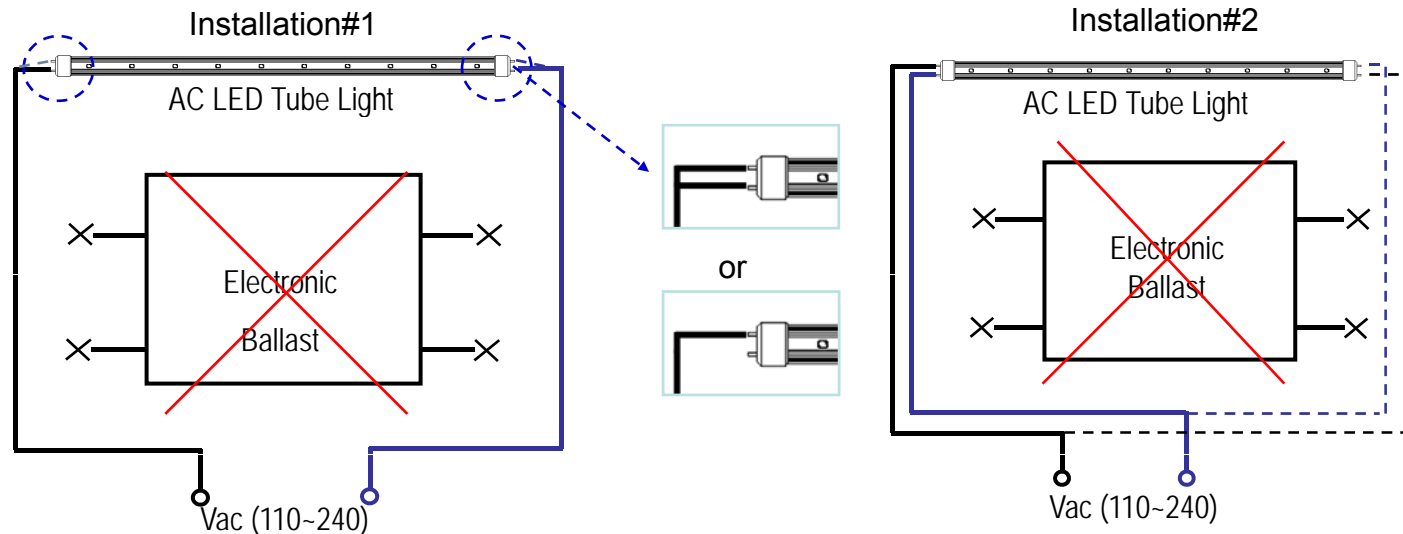
Safety instruction: This Tube light has considered the high voltage isolation design.

Cautions: Don't drop the product, since it will damage the connection pins.
Don't use traditional ballast to driver LED tube light since it will damage the LED tube light.

Warnings: Don't expose the product to the rain or high humidity environment. It is designed for indoor use only!
Don't gaze at the LEDs light source directly since the high intensity of light may cause your eyes' injury!

9 .Installation guide

- (1) If the luminaire has installed the starter, then LED tube light can directly replace the conventional FL doesn't need to change or adjust anything.
- (2) If the luminaire is using electronic ballast, then it needs to by pass the electronic ballast, see below two different installation guides. The external high voltage can directly connect the two sides (see installation#1), or connect to any one-side (see installation#2).





10. Estimated life time : 50,000 hours
