

96W Street light

DATA SHEET



1. Applications :

Area: Outdoor

Purpose: Street and Roadway Lighting.

Features:

(1) Optical

Optical pattern meets with IESNA classification of type II, short and cut-off.

The pole pitch is up to 4 mounting height with uniform illuminance distribution.

(2) Power

Switching mode and multiple channel constant current design.

The power factor is large than 0.98 @101 W full loading.

Over-heat, –voltage protection designs and self-thermal compensation.

(3) Thermal

Luminaire surface temperature is 48°C @ $T_a=30^{\circ}\text{C}$, the temperature variation is controlled under 2°C .,

Junction temperature is controlled on 60°C @ $T_a=30$.

Overheat protection will operate to adjust as the LED module surface reaches 70°C .

(4) Luminaire

Bow shape design on the luminaire can easily handle.

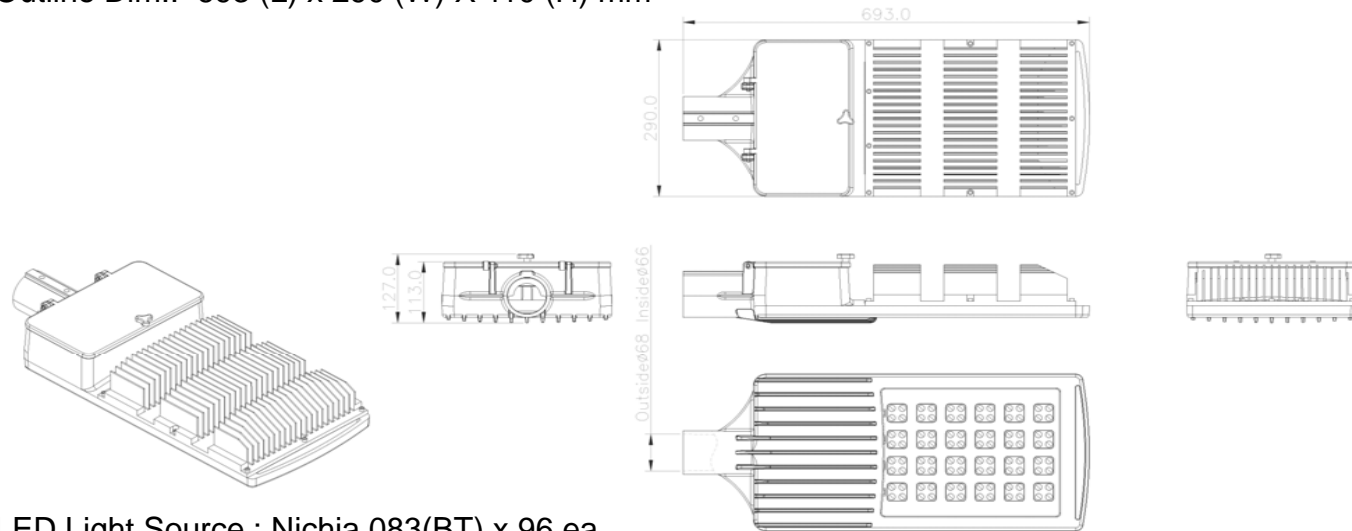
LED modularized design can easily maintain.

Dust and water protection design for IP65.

Super-high luminaire efficacy 70lm/W.

2. Specifications:

Outline Dim.: 693 (L) x 290 (W) X 110 (H) mm



LED Light Source : Nichia 083(BT) x 96 ea

Color Temp.: 5200±400K/ 3000±300K

External Input Voltage: 100~240 Vac

Total Power: 101W

Operation Temp : -30°C~50°C

IP Level: IP65

Power Factor: >0.98@101W Full loading

Weight: 13.8kg

Hole size (Max. Diameter): 66mm

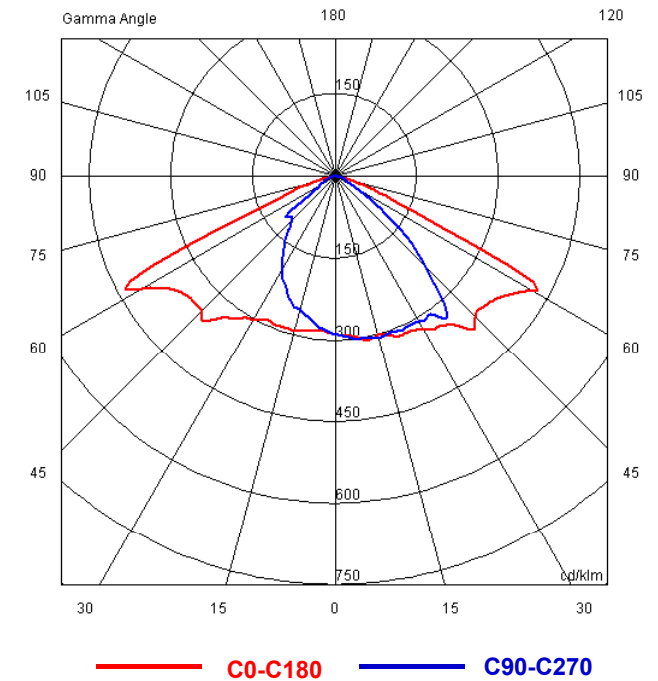
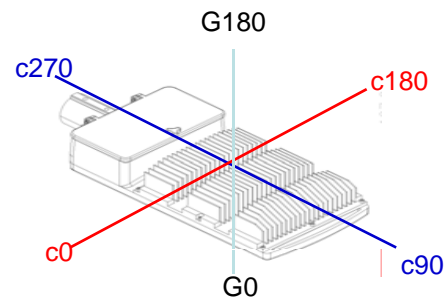
3. Packaging information :

Packing: 1pcs. /carton		
carton	825X422X264(mm)	16 kg

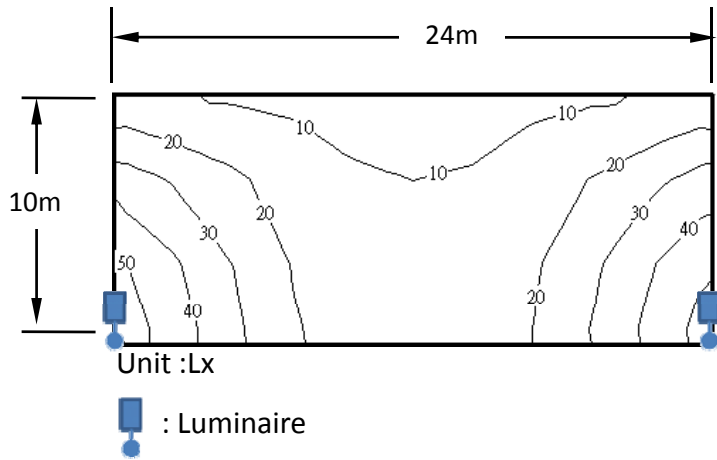
4. Optical performance :

- Roadway Classification: TYPE II, SHORT, CUTOFF
- Coefficient of Utilization (Street / House): 54% / 46%
- Max. Cd Vertical Angle: 60°
- Installation Pole Distance = 4 Mounting Height Max.
- Luminaire Efficacy: 70 Lm/Watt

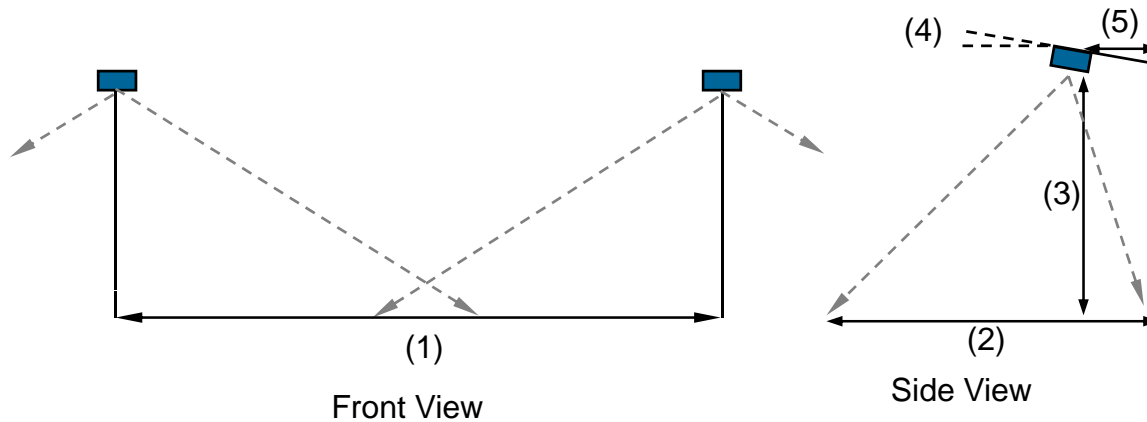
Color Temp.	Model Number	Output Lumens (Typ.)
5200± 400K	AKPL59BH	7156
3000± 300K	AKPL39BH	5725



Roadway Surface illuminance distribution at 6m Height

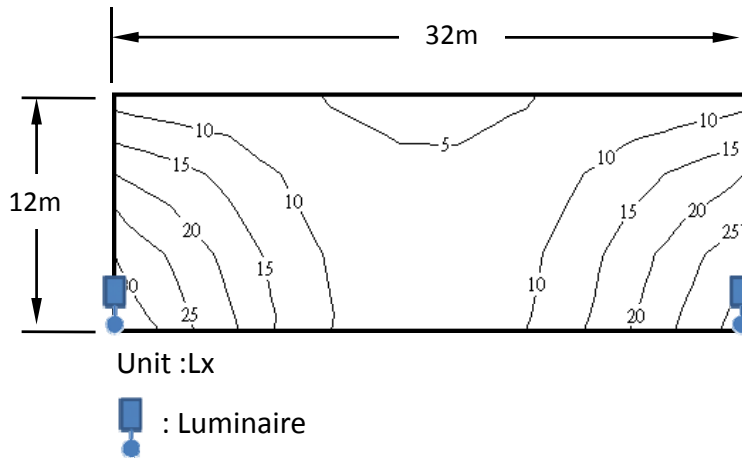


100Watt, 7156 Lm, 5200K	
Max.	50 Lx
Avg.	22 Lx
Min.	7.9 Lx
Uniformity (Min./Avg.)	0.36

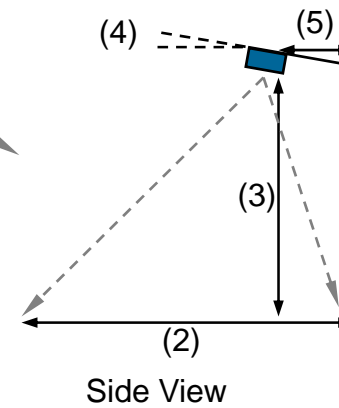
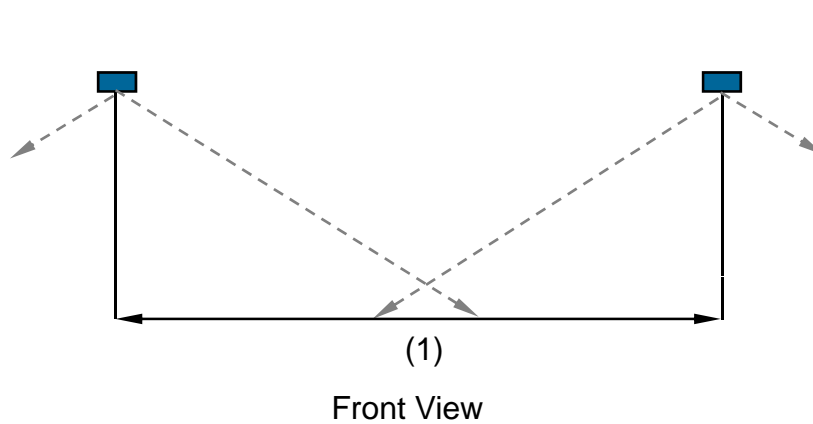


- Pole Distance(1) : 24 m
- Road Width(2) : 10 m
- Mounting Height(3) : 6 m
- Boom Angle(4) : 10°
- Boom Length(5) : 2 m

Roadway Surface illuminance distribution at 8m Height



100Watt, 7156 Lm, 5200K	
Max.	29 Lx
Avg.	13 Lx
Min.	4.5 Lx
Uniformity (Min./Avg.)	0.35



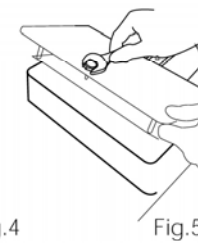
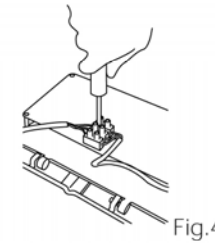
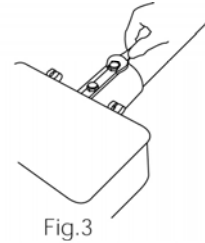
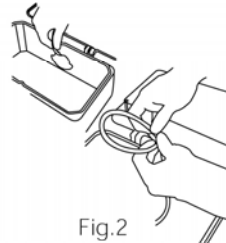
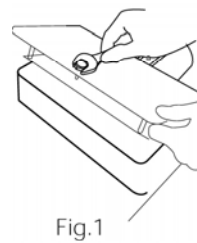
- Pole Distance(1) : 32 m
- Road Width(2) : 12 m
- Mounting Height(3) : 8 m
- Boom Angle(4) : 10°
- Boom Length(5) : 2 m

5. Safety warning :

- Make sure the installed pole size is small than the street light hole size.
- Turn-off the city power and make sure all of the facilities are safety before installation.
- Don't drop or impact the product during installation process.
- To guarantee the IP 65 level, please make sure the handy screw bolt is tight after installation or maintenance process.
- Make sure the M10 metal screw has screw-down the lighting luminaire and pole.

6. Installation guide :

- Screw loose the screw bolt and open the power top-cover. (fig.1)
- Avoid the AC city power cable drop down, the cable can through the hole and temporarily fix. (fig.2)
- Insert the pole into the luminaire hole and adjust the luminaire to a correct angle, and then using M10 metal screw to screw-down the lighting luminaire. (fig.3)
- Install the external city power cable on the existed socket. (fig.4)
- Make sure all of the installation are completed and then covering the power top-cover and screw down. (fig.5)



7. Estimated life time :

50,000 hours