

24W STREET LIGHT



Product Series

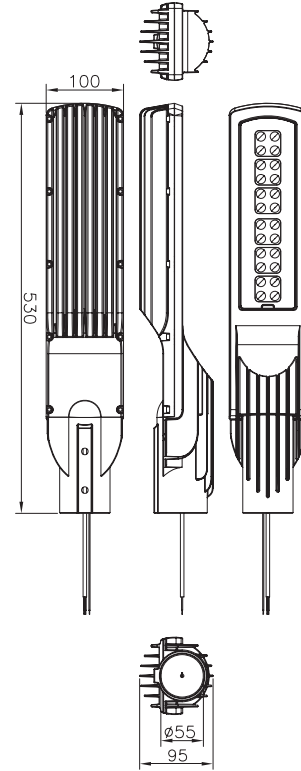
model number	color temperature	Power consumption	Input Voltage
AK PL52BH	5200K	26W	12Vdc or 24Vdc
AK PL32BH	3000K	26W	12Vdc or 24Vdc

Applications & Purpose

Area: Outdoor.
Purpose: Alley Lighting, Park Lighting, Solar Lighting, Street, Lighting.

Specifications

- Outline Dimension: 530 (L) x 100 (W) X 95 (H) mm
- LED Light Source: 1W x 24 ea
- Color Temperature: 5200 ± 400 K / 3000 ± 300 K
- Input Voltage: 12Vdc or 24Vdc
- Total lumen: 1789/ 1430 lm
- Total Power: 26W
- Operation Temperature: -30 °C~50 °C
- IP Rating: IP65
- Net Weight: 2.1kg
- Hole size (Max. Diameter): < 55mm



Packaging Information

Packing: 1 pcs. / box		
box	655x160x150(mm)	2.8kg

Optical Performance

CCT(typ.)	Model Number	Lumens(typ.)
5200K	PL52BH	1789
3000 K	PL32BH	1430 A

Roadway Surface illuminance distribution at 4m Height

Road width: 6 m
Pole pitch: 16 m
Mounting height: 4 m
Install inclined angle: 15 degree

24Watt, 1789 Lm, 5200K	
Max.	27 Lx
Avg.	13 Lx
Min.	5.4 Lx
Uniformity(Min./Avg.)	0.43

