

**PRAHA**  
lighting



# 16W LED DOWNLIGHT

## Product Series

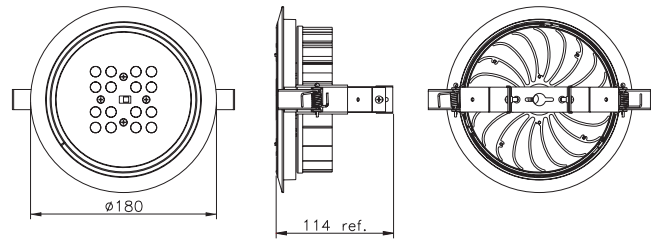
model number	color temperature	Power consumption	Beam angle
AKDL5DB7	5200K	23W	105 degree
AKDL3DB7	3000K	23W	105 degree
AKDL5DB4	5200K	23W	60 degree
AKDL3DB4	3000K	23W	60 degree

## Applications & Purpose

Area: Indoor use only.  
Purpose: down light

## Specifications

Outline Dimension:  $\varnothing 180 \times 107 \text{mm}$  (L)  
LED Light Source: 1W x 16ea  
Color Temperature:  $5200 \pm 400 \text{K} / 3000 \pm 300 \text{K}$   
Beam Angle: 105 degree / 60 degree  
Input Voltage: 100~240 Vac  
Power Consumption: 23 Watt  
Net Weight: 990g  
Operation Temperature:  $-20^\circ\text{C} \sim 40^\circ\text{C}$   
Ceiling Drill Hole:  $\varnothing 167 \text{mm}$



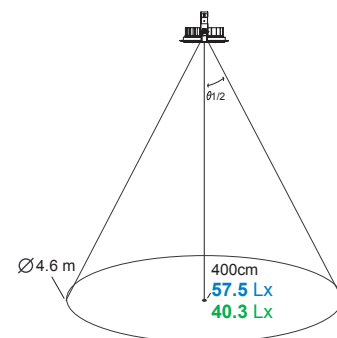
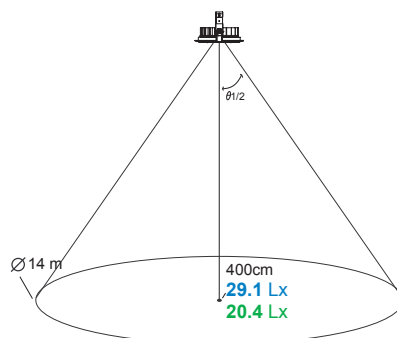
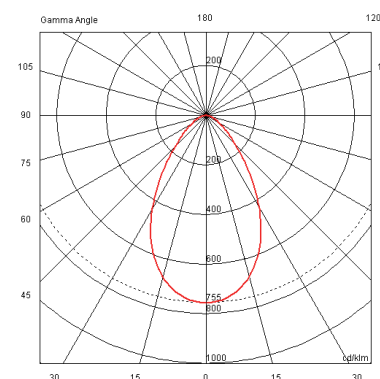
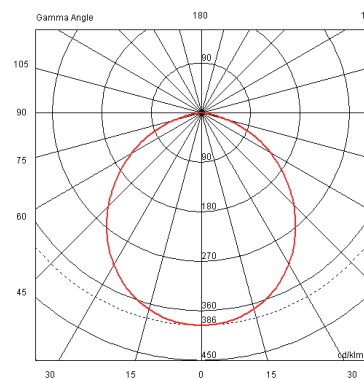
## Packaging Information

Packing: 12 boxes / carton		
box	220x205x130(mm)	1100g
carton	825x422x264(mm)	13.5kg

Note: Data are measured after lighting up 60min

Color Temp	Model Number	Beam Angle	Output Lumens	CRI
$5200 \pm 400 \text{K}$	AKDL5DB7	105 degree	1206	70
$3000 \pm 300 \text{K}$	AKDL3DB7	105 degree	845	75
$5200 \pm 400 \text{K}$	AKDL5DB4	60 degree	1218	70
$3000 \pm 300 \text{K}$	AKDL3DB4	60 degree	853	75

## Optical Performance



DL5DB7 (5200K) DL3DB7 (3000K)

DL5DB4 (5200K) DL3DB4 (3000K)